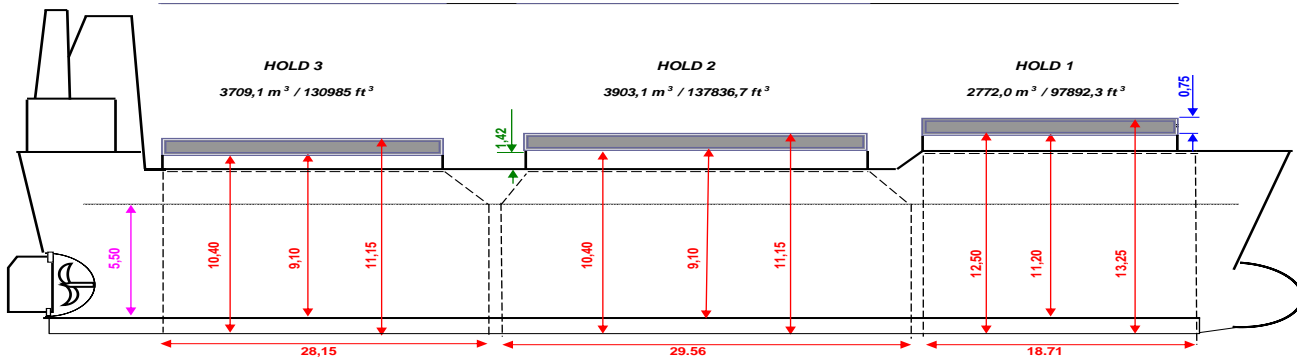


# MV Aikaterini K



## Main Data

Type	MPC, gearless	IMO No.	9381407
Flag	Panama	Call Sign	TBA
Port of Registry	Panama	Deck Stanchions	nil
Classification	General Cargo Ship - Heavy Cargo	Cement Feeding Holes	yes
Ice Class	II (Fin, Swe)/ 100 A 5 (GL)	Grain fitted	yes
Class	Indian Registry of Shipping (IRS)	App B	yes
P&I	MS Amlin Marine N.V.	Bow thruster	yes
Built	2008	IMO fitted	yes
		Box shaped	yes

## Dimensions

Dwat s/w	8100 mt/ 7,800 mt
Dwcc s/w	7,650 mt/ 7,350 mt
GT/ NT	5599/2883
Airdraft	32 m
Length o. a.	108.21 m
Length b.p.	103.90 m
Breadth max.	18.4 m
Moulded Depth	9.00 m
Draft s/w	6.82 m/ 6.678 m
WLTOHC ballast	10.1 m (Ho 1)/ 7.00 m (Ho 2/ 3)
WLTOHC laden	5.7 m (Ho 1)/ 3.6 m (Ho 2/ 3)
TPC	17.79 mt

## Holds & Hatches

Number of holds	3
Hold/ Hatch 1	18.90 m x 15.20/6.60 m x 11.20 m
Hold/ Hatch 2	29.40 m x 15.20 m x 9.10 m
Hold/ Hatch 3	28 m x 15.20/7.70 m x 9.10 m
Hold 1	2,772 cbm/ 97,892 cbft
Hold 2	3,903 cbm/ 137,836 cbft
Hold 3	3,709 cbm/ 130,985 cbft
Total	10,300 cbm/ 364,500 cbft
Hatchcovers	TTS Transfolding
Ventilation	6 airchanges/hour
Tanktop strength	15 mt/ sqm
Hatch strength	2.2 t/ sqm (Ho 1) 2.5 t/m <sup>2</sup> (Ho 2/ 3)
Moveable Bulkhead	n/a

## Cranes

nil

## Grabs

nil

All details to be considered as about, given in good faith but without any guarantee.